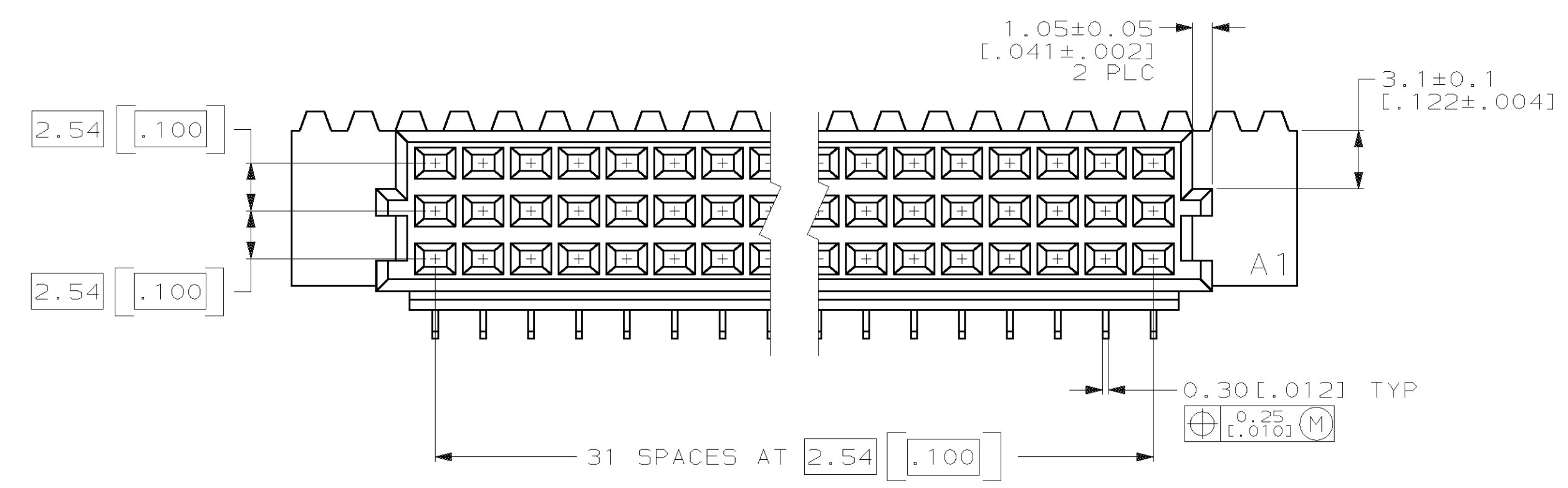
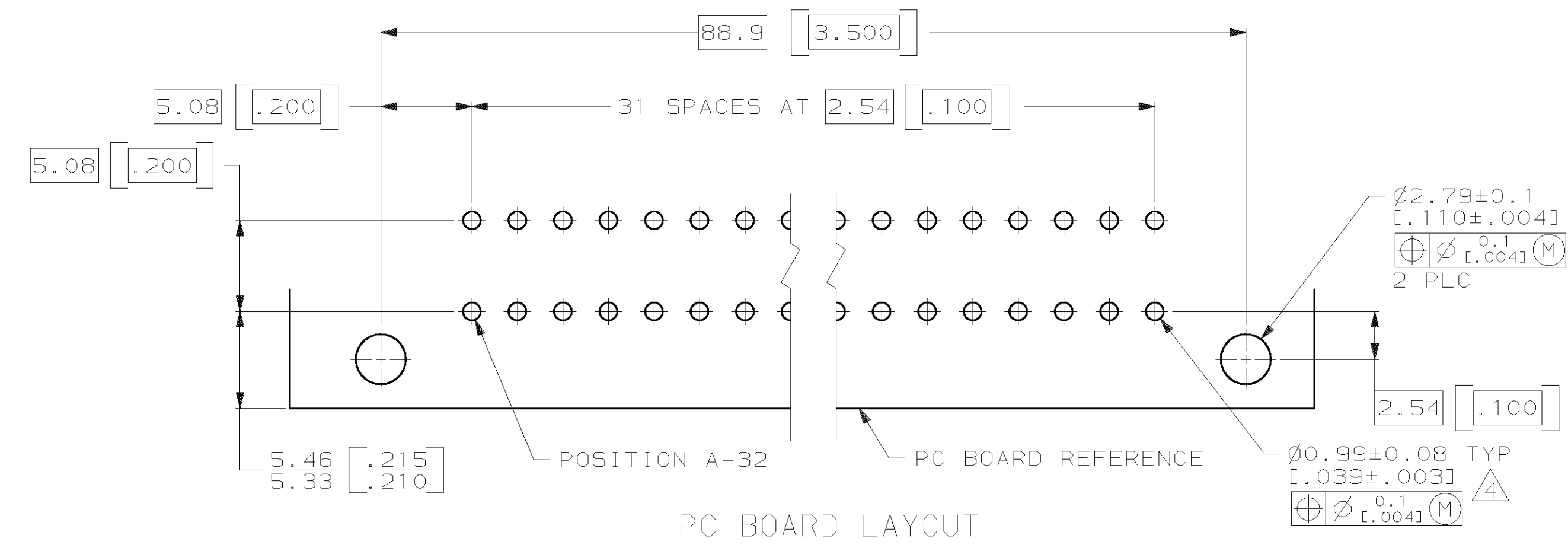
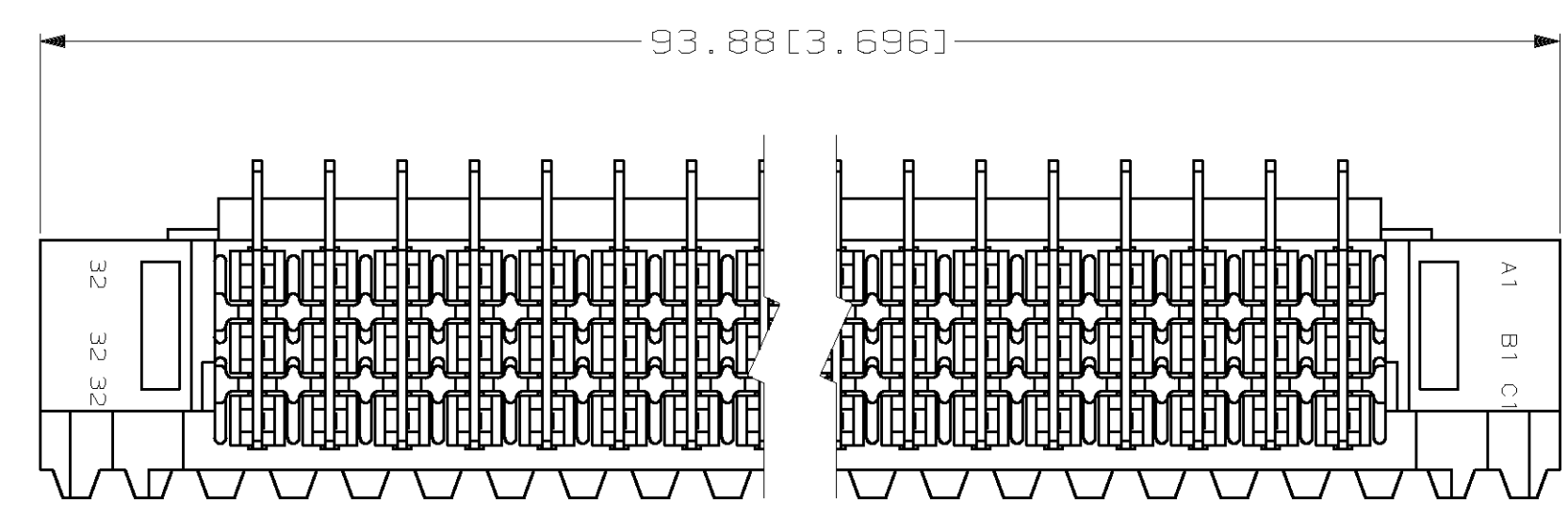
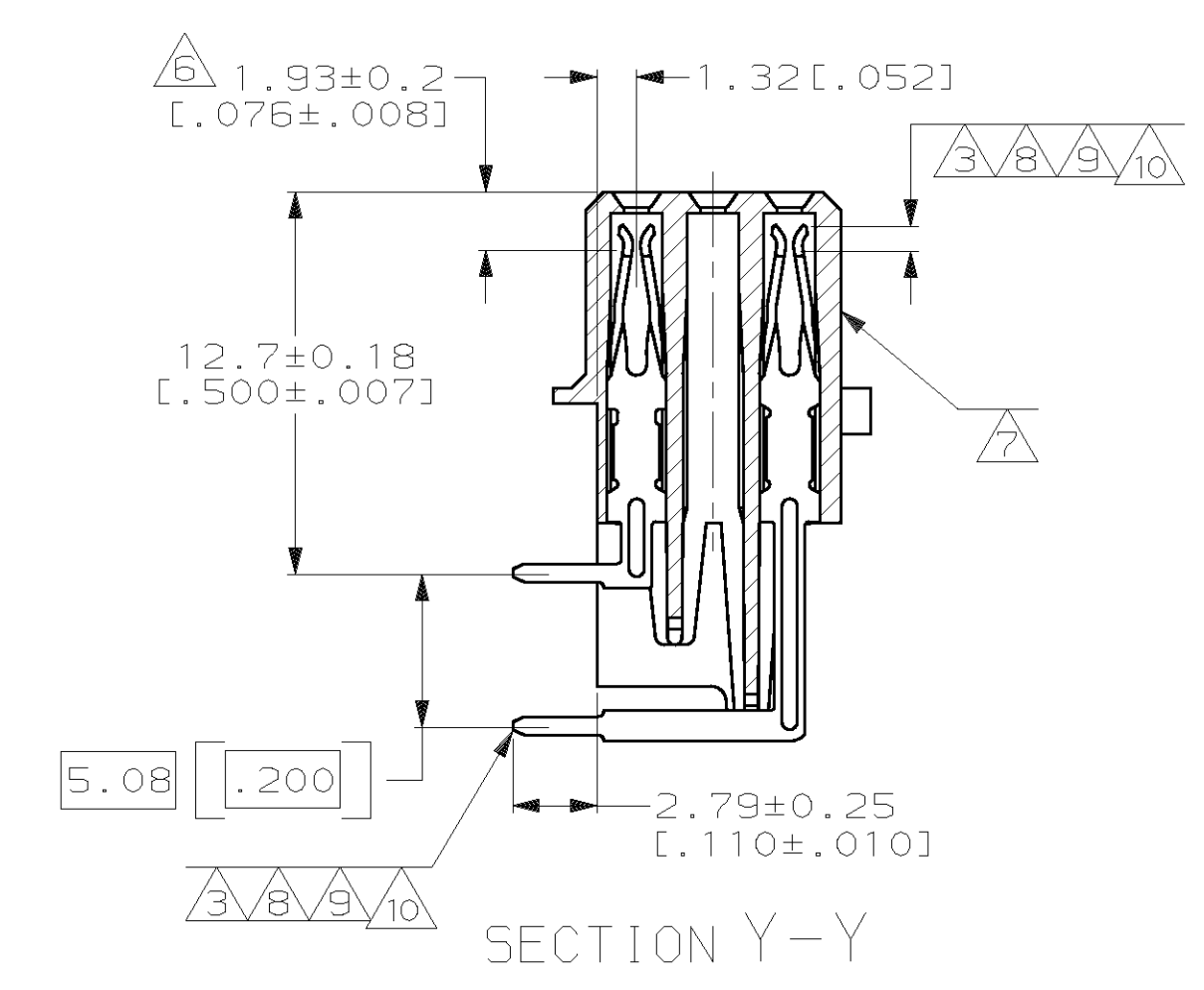
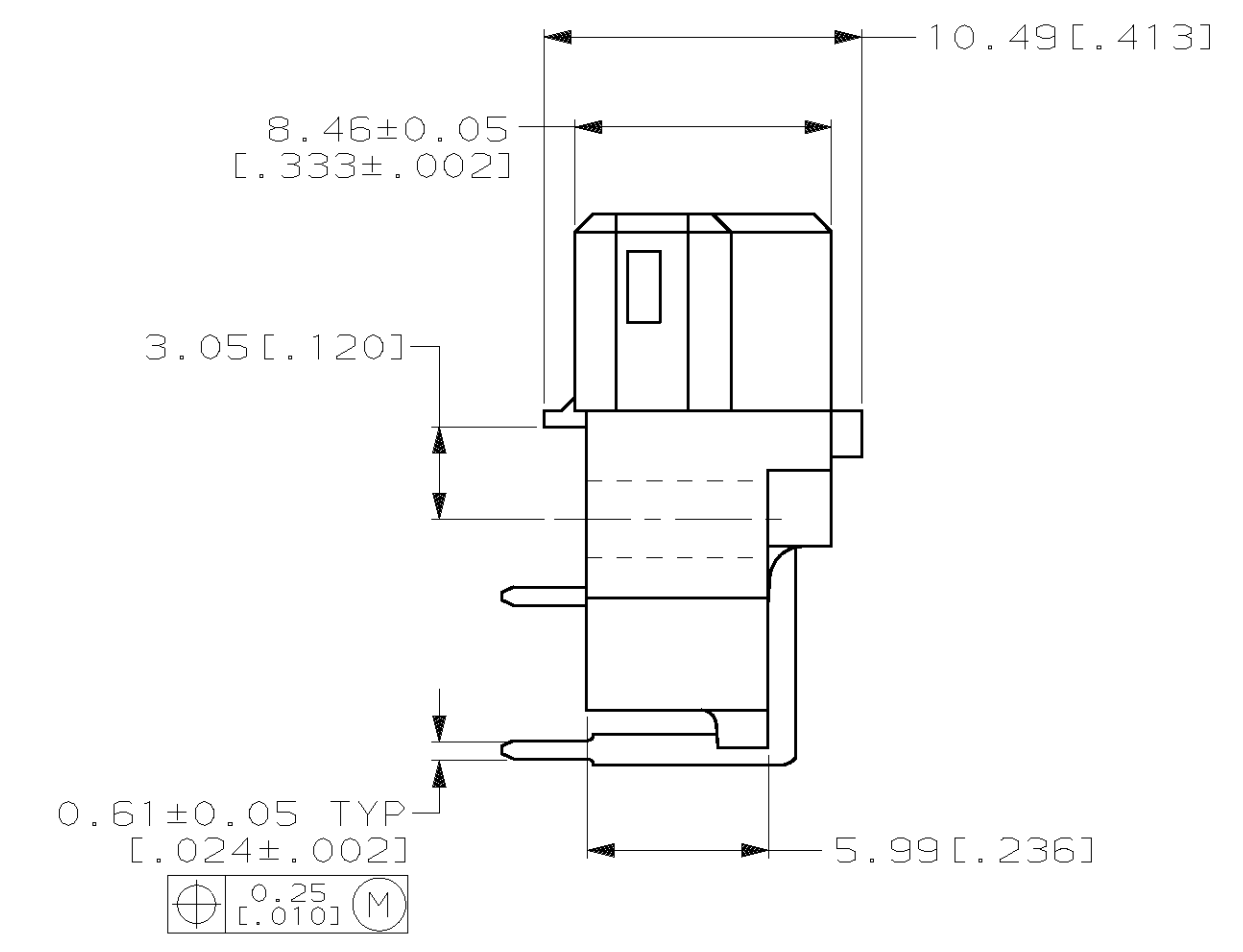
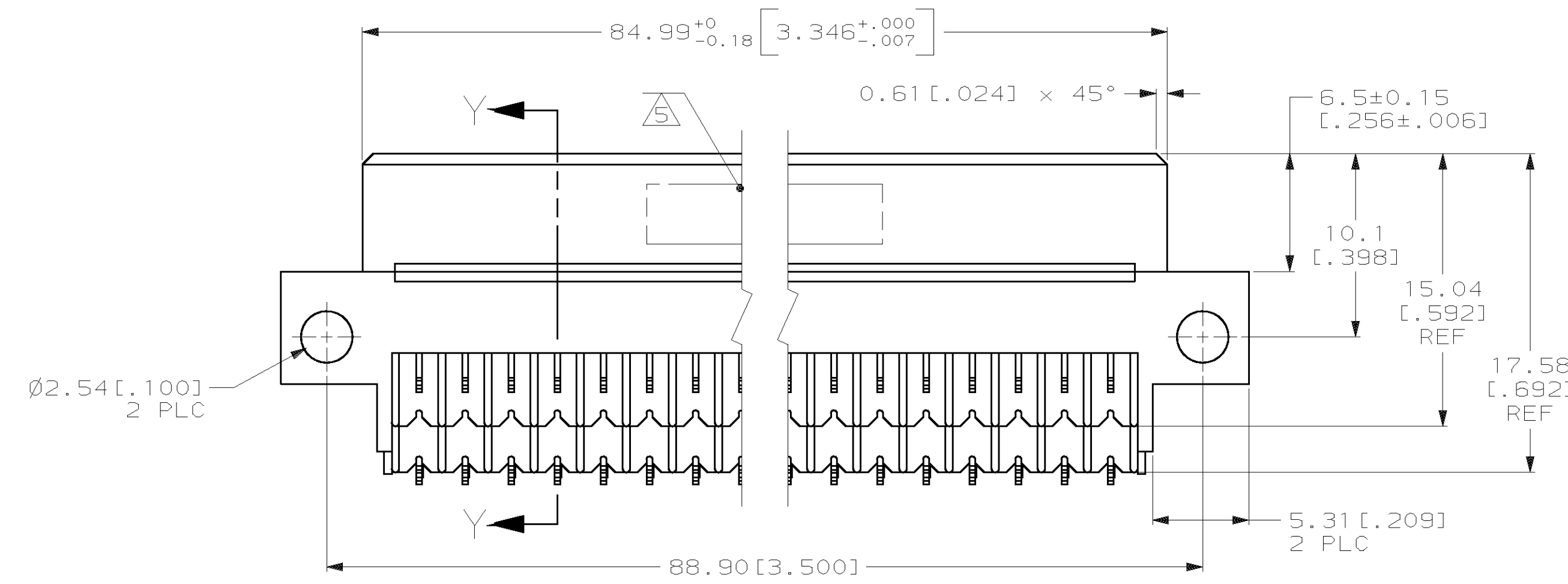


LOC	DIST	P	F	ZONE	LTR	DESCRIPTION	DATE	APPD
AD	25				R	ADDED -6 PER EC 0621-103-99	08 APR 99	CR
					S	REV PER EC 0U1B-0203-00	15 AUG 00	CR
					T	REV PER EC 0S12-0016-03	09 JAN 04	AS



- ① HOUSING MATERIAL: GLASS-FILLED POLYESTER. COLOR: GRAY.
- ② CONTACT MATERIAL: PHOSPHOR BRONZE.
- ③ CONTACT FINISH: 0.00076[.000030] GOLD IN CONTACT AREA. 0.00127[.000050] NICKEL UNDERPLATE ALL OVER. TIN-LEAD ON POSTS.
- ④ RECOMMENDED HOLE SIZE FOR MANUAL APPLICATION OF CONNECTOR ONTO PC BOARD.
- ⑤ PART NUMBER, DATE CODE IDENTIFICATION, CSA LOGO HOT-STAMPED THIS APPROXIMATE AREA.
- ⑥ CONTACT POINT.
- ⑦ HOT-STAMPING ON THIS SIDE.
- ⑧ CONTACT FINISH: DIN 41612 CLASS 3 IN CONTACT AREA. TIN-LEAD ON POSTS.
- ⑨ CONTACT FINISH: DIN 41612 CLASS 1 IN CONTACT AREA. TIN-LEAD ON POSTS.
- ⑩ CONTACT FINISH: DIN 41612 CLASS 2 IN CONTACT AREA. TIN-LEAD ON POSTS.



NOTES	POSITIONS LOADED	C	B	A	NO. OF LOADED POSITION	ASSY PART NUMBER
SUPERSEDED BY 650870-4	1 THRU 32	X	-	X	64	650870-9
OBSOLETE	1 THRU 32	X	-	X	64	650870-6
	1 THRU 32	X	-	X	64	650870-5
OBSOLETE	1 THRU 32	X	-	X	64	650870-4
	1 THRU 32	X	-	X	64	650870-1

DO NOT SCALE PRINT. UNLESS SPECIFIED DIMENSIONS IN mm [INCHES] TOLERANCES ON: 1 PLC DEC ± .013[.005] ANGLES ± -	DR L. BRINER 9/17/90 CHK N. DRASHER 12/19/91 APPD N. DRASHER 12/19/91	AMP INCORPORATED Harrisburg, Pa. 17105 NAME: RECEPTACLE ASSEMBLY, EUROCARD, TYPE R			
MATERIAL: HOUSING: ① CONTACT: ②	APPD K.R. PARMER 12/19/91 PRODUCT SPEC -				
FINISH: CONTACT: ③ ④ ⑤ ⑥ ⑦ ⑧ ⑨ ⑩	APPLICATION SPEC -	SIZE: D	CAGE CODE: 00779	DRAWING NO: 650870	SHEET 1 OF 1
WEIGHT -	SCALE: 4:1				